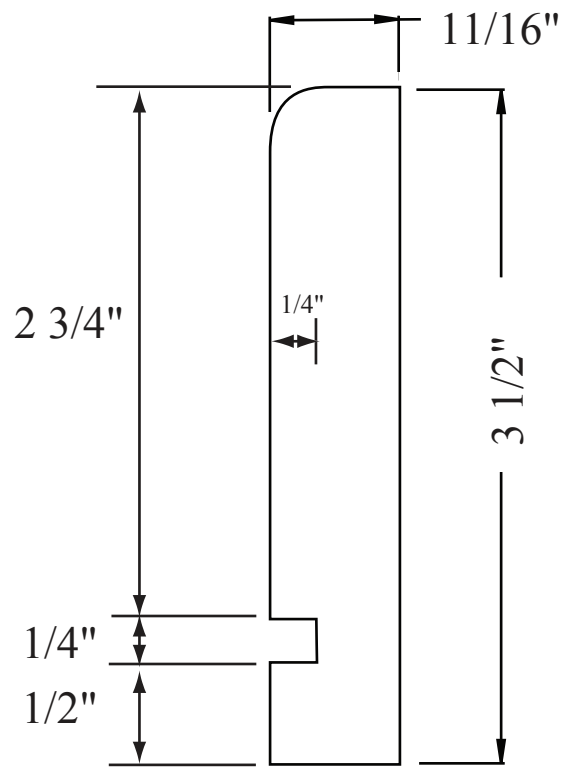




**Prime-Line, Inc.**  
Doors, Mouldings, & Millwork



**PL510-17CA**  
 **$11/16'' \times 3 \frac{1}{2}''$**   
**FULL SCALE**